

## Berührungssichere Ø 2 mm-Montagebuchsen (E-DIN 42802-2)

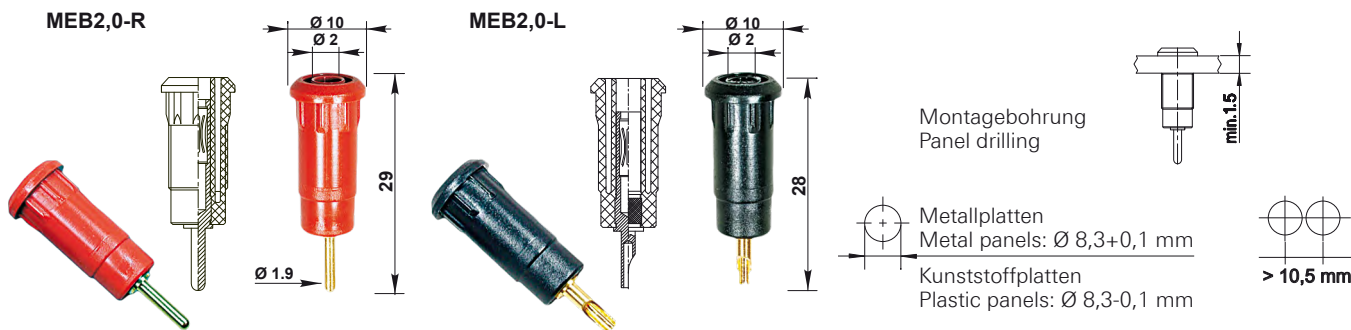
### MEB2,0-R MEB2,0-L

Isolierte, vergoldete Ø 2 mm-Einpressbuchsen mit federnder Kontaktlamelle, zur Aufnahme starrer Ø 2 mm-Stecker mit starrer Isolierhülse. Montage durch Einpressen in Bohrungen von Platten oder Gehäusen aus Kunststoff, Metall etc. Anschluss: **Rundstecker Ø 1,9 mm oder Lötanschluss.**

## Touch-protected Ø 2 mm Panel-mount Terminals (E-DIN 42802-2)

### MEB2,0-R MEB2,0-L

Insulated gold-plated Ø 2 mm panel terminals with spring-loaded Multilam, accepting rigid Ø 2 mm plugs with rigid insulating sleeve. The terminals are pressed into predrilled panels of plastic, metal etc. **Round connecting pin Ø 1,9 mm or solder connection.**



Typ Type	Bestell-Nr. Order No.	Auszugskraft Withdrawal force	Anschluss Connection	*Farben *Colors
MEB2,0-R	65.3303-*	> 10N	Rundstecker Ø 1,9 mm Round connecting pin Ø 1,9 mm	Au <span style="background-color: black; color: white; padding: 2px;">21</span> <span style="background-color: red; color: white; padding: 2px;">22</span> <span style="background-color: blue; color: white; padding: 2px;">23</span> <span style="background-color: yellow; color: black; padding: 2px;">24</span> <span style="background-color: green; color: white; padding: 2px;">25</span> <span style="background-color: grey; color: white; padding: 2px;">29</span>
MEB2,0-L	65.3331-*	> 10N	Lötanschluss Solder connection	Au <span style="background-color: black; color: white; padding: 2px;">21</span> <span style="background-color: red; color: white; padding: 2px;">22</span> <span style="background-color: blue; color: white; padding: 2px;">23</span> <span style="background-color: yellow; color: black; padding: 2px;">24</span> <span style="background-color: green; color: white; padding: 2px;">25</span> <span style="background-color: grey; color: white; padding: 2px;">29</span>