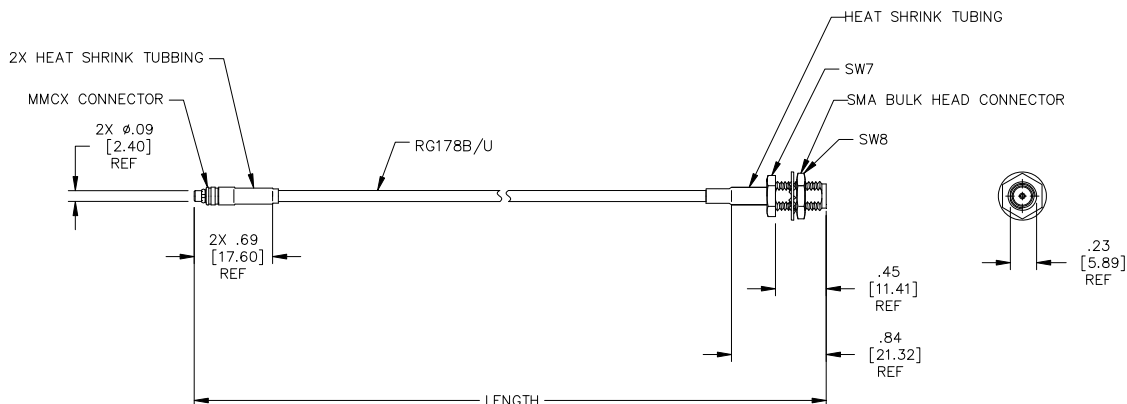


Model 73078
MMCX Plug to SMA Bulkhead Jack, RG178B/U



Model 73078
MMCX Plug to SMA Bulkhead Jack, RG178B/U

Small size, and durability for
confident connections

Materials

MMCX Male Connector:

- Center Contact: Phosphor Bronze, Gold Plated
- Connector Body: Brass, Gold Plated
- Crimp Ferrule: Copper, Nickel Plated
- Insulators: PTFE

SMA Female Connector:

- Center Contact: Beryllium Copper, Gold Plated
- Connector Body: Brass, Gold Plated
- Crimp Ferrule: Copper, Nickel Plated
- Insulators: PTFE

Features

- DC - 2GHz bandwidth.
- Connectors are precision machined and gold-plated for low loss.
- Perfect for applications where space, weight, performance and ease of connection are required.

Specifications

Cable Type	RG178B/U
Impedance	50Ω
Frequency Range	DC - 2GHz
Insulation Resistance	≥ 500 MΩ
Insulator Withstand	500V
Temperature Range	-55° C to +155°C (-67°F to +311°F)
Jacket	FEP
Cable O.D.	0.071" (1.8mm)
Center Conductor (mm)	7 x .1 silver coated copper covered steel

Ordering Information

Model: **73078**

Cable Designator: **UU** = RG178B/U

Standard Lengths: **12", 24", 36", 48"**

- 12" ± .157" (305mm ± 4mm)
- 24" ± .275" (610mm ± 7mm)
- 36" ± .394" (914mm ± 10mm)
- 48" ± .512" (1219mm ± 13mm)

Ordering Example: **73078-UU-24**, Cable is RG178B/U with length of 24" (610mm)

All dimensions are in inches. Tolerances (except noted): .xx = ±.02" (.51 mm), .xxx = ± .005" (.127 mm). All specifications are to the latest revisions. Specifications are subject to change without notice. Registered trademarks are the property of their respective companies.



PEWA
Messtechnik GmbH

Weidenweg 21
58239 Schwerte

Tel.: 02304-96109-0
Fax: 02304-96109-88

E-Mail: info@pewa.de
Homepage: www.pewa.de