

**Model 73070**  
SMA Plug to SMA Bulkhead Jack, RG316/U, RG58C/U



*Model 73070-C*  
SMA Plug to SMA Bulkhead Jack, RG58C/U



*Model 73070-BB*  
SMA Plug to SMA Bulkhead Jack, RG316/U

Small size, and durability for confident connections

**Features**

- DC - 3GHz bandwidth.
- Connectors are precision machined and gold-plated for low loss.
- Perfect for applications where space, weight, performance and ease of connections are required.

**Materials**

SMA Male Connectors:

Center Contact: Brass, Gold Plated  
Connector Body: Brass, Gold Plated  
Crimp Ferrule: Copper, Nickel Plated  
Insulators: PTFE

SMA Bulkhead Female Connectors:

Center Contact: Beryllium Copper, Gold Plated  
Connector Body: Brass, Gold Plated  
Crimp Ferrule: Copper, Nickel Plated  
Insulators: PTFE

**Specifications**

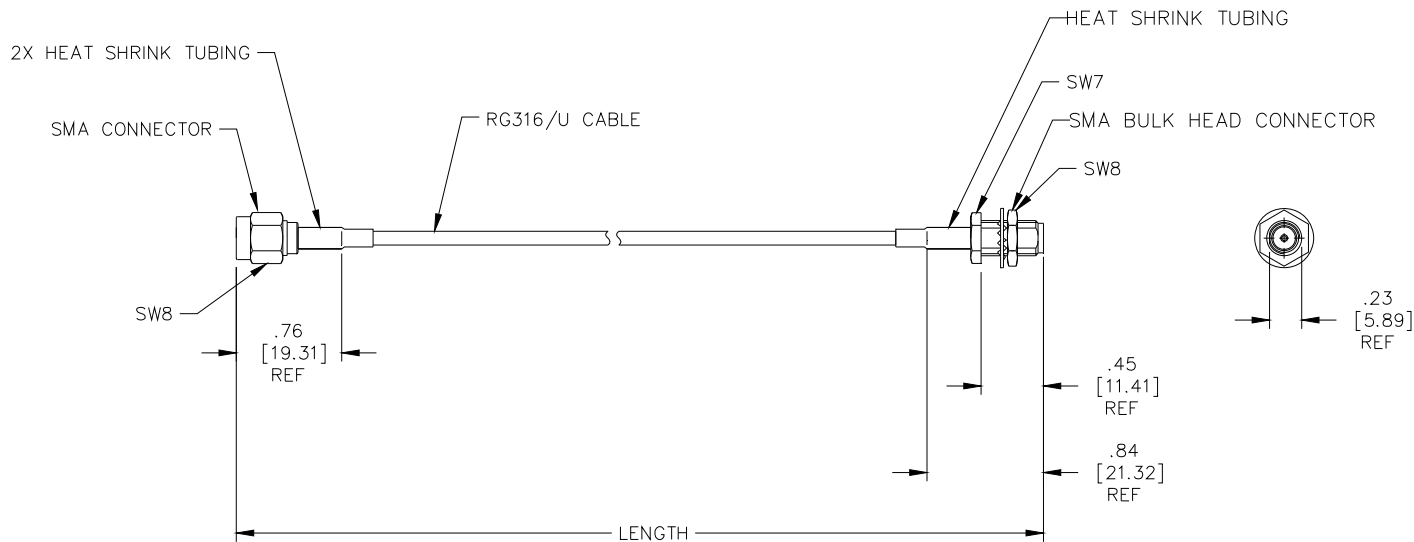
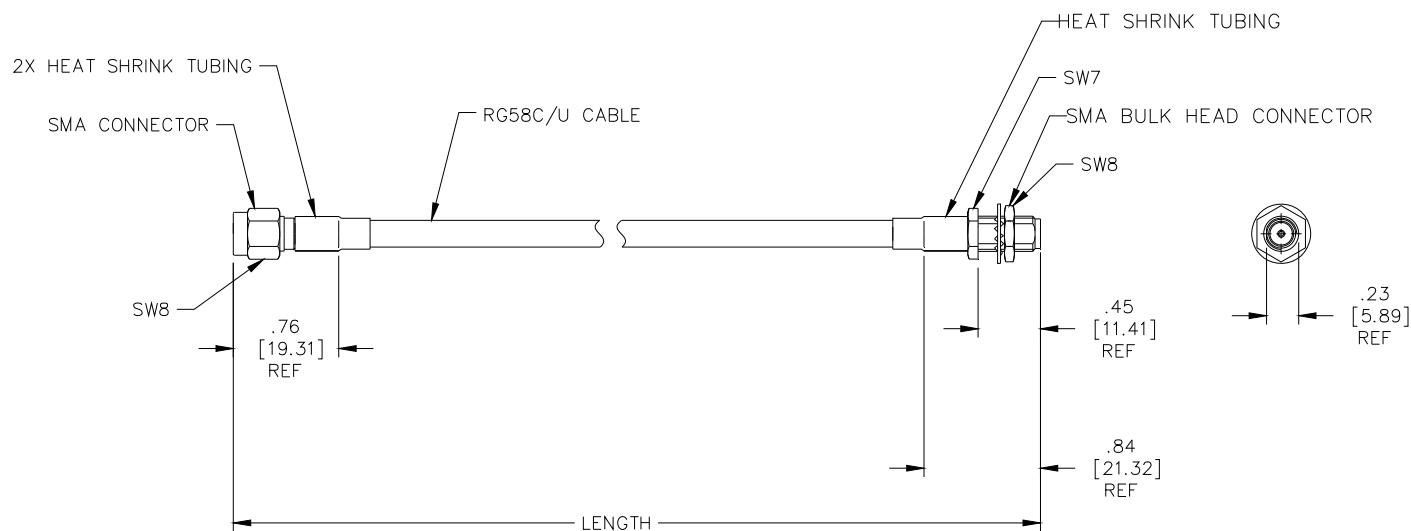
Cable Type	RG58C/U	RG316/U
Impedance	50Ω	50Ω
Frequency Range	DC - 3GHz	DC - 3GHz
Capacitance per 1ft (0.305m)	30.8 pF	29.0 pF
Insulation Resistance	≥ 1000 MΩ	≥ 1000 MΩ
Insulator Withstand	750V	750V
Temperature Range	-65° C to +165°C (-85°F to +329°F)	-65° C to +165°C (-85°F to +329°F)
Jacket	PVC2	FEP
Cable O.D. (inches)	0.193" (4.9mm)	0.098" (2.5mm)
Center Conductor (mm)	19 x .18 tinned copper	7 x .18 silver coated copper covered steel



PEWA  
Messtechnik GmbH  
Weidenweg 21  
58239 Schwerte  
Tel.: 02304-96109-0  
Fax: 02304-96109-88  
E-Mail: info@pewa.de  
Homepage : www.pewa.de

All dimensions are in inches. Tolerances (except noted): .xx = ±.02" (.51 mm), .xxx = ± .005" (.127 mm). All specifications are to the latest revisions. Specifications are subject to change without notice. Registered trademarks are the property of their respective companies.

**Model 73070**  
SMA Plug to SMA Bulkhead Jack, RG316/U, RG58C/U



**Ordering Information**

Model: **73070**

Cable Designators: **C** = RG58C/U, **BB** = RG316/U

Standard Lengths: **12", 24", 36", 48", 60"**

- 12" ± .157" (305mm ± 4mm)
- 24" ± .275" (610mm ± 7mm)
- 36" ± .394" (914mm ± 10mm)
- 48" ± .512" (1219mm ± 13mm)
- 60" ± .630" (1524mm ± 16mm)

Ordering Example: **73070-C-48**, Cable is RG58C/U with length of 48" (1219mm)

All dimensions are in inches. Tolerances (except noted): .xx = ±.02" (.51 mm), .xxx = ±.005" (.127 mm). All specifications are to the latest revisions. Specifications are subject to change without notice. Registered trademarks are the property of their respective companies.