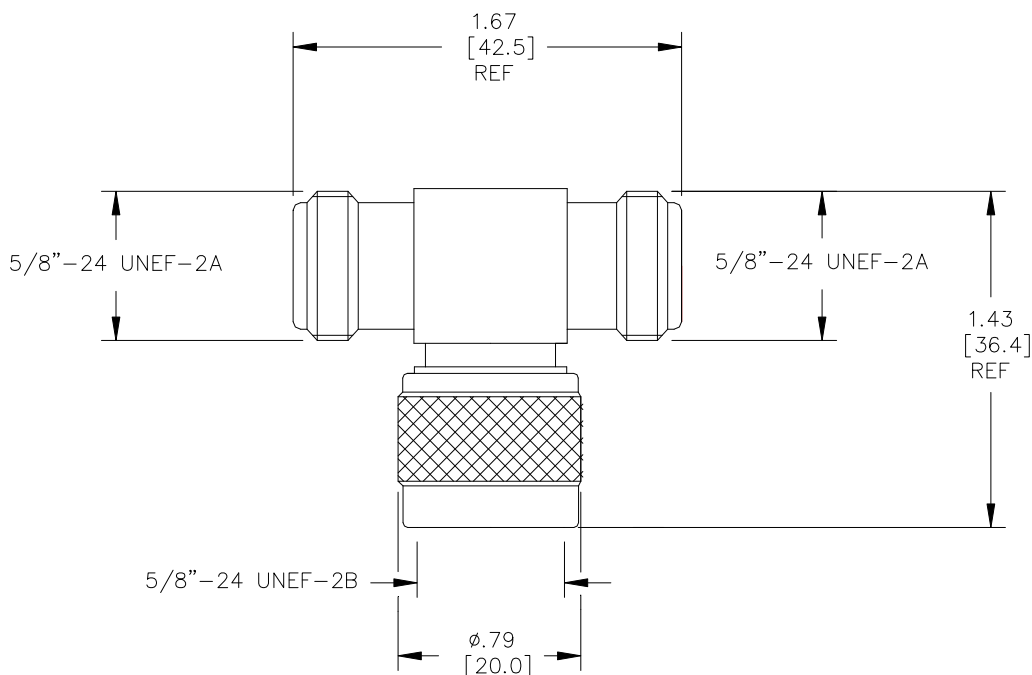


**Model 73044**  
**N Type "T" Jack-Plug-Jack Adapter**



*Model 73044*  
*N Type "T" Jack-Plug-Jack Adapter*

**Features**

- DC – 4GHz bandwidth.
- Connectors are precision machined.
- Meets interface requirements MIL-C-39012.

**Materials**

Center Conductor:  
*Male:* Brass, Gold Plated  
*Female:* Phosphor Bronze, Gold Plated  
 Connector Body: Brass, Nickel Plated  
 Insulators: PTFE

**Specifications**

Impedance: 50Ω  
 Frequency Range: DC – 4GHz  
 Contact Resistance:  
     Center Conductor: ≤1.0 mΩ  
     Outer Conductor: ≤0.2 mΩ  
 Insulation Resistance: ≥ 5000 MΩ  
 Dielectric Withstand Voltage: 1500V  
*For CE compliance, do not hold in hand when voltages exceed 33 Vrms / 70 Vdc.*  
 Number of Insertions: 500 cycles minimum

**Ordering Information**

Model: **73044**



PEWA  
 Messtechnik GmbH  
 Weidenweg 21  
 58239 Schwerte  
 Tel.: 02304-96109-0  
 Fax: 02304-96109-88  
 E-Mail: info@pewa.de  
 Homepage : www.pewa.de

All dimensions are in inches. Tolerances (except noted): .xx = ±.02" (.51 mm), .xxx = ± .005" (.127 mm). All specifications are to the latest revisions. Specifications are subject to change without notice. Registered trademarks are the property of their respective companies.