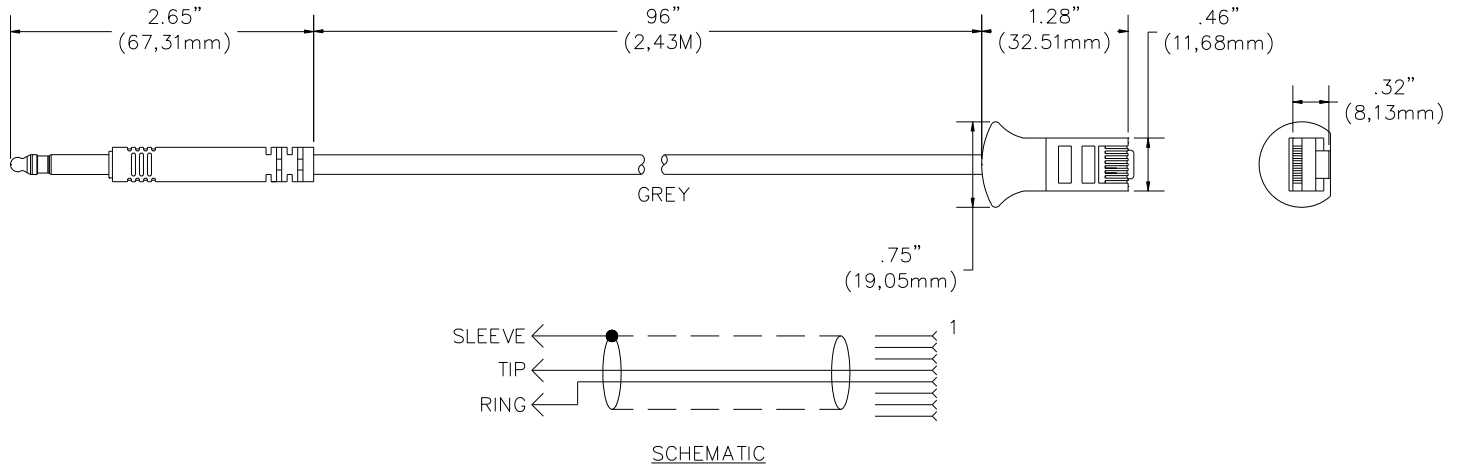


Model 6324
Bantam Plug To RJ45 / RJ48



FEATURES:

- ✓ Shielded cable to reduce noise.
- ✓ Bantam Plugs molded to the cable to provide optimum durability.

MATERIALS:

Plugs: Nickel Plated Brass.
Cable: 2 Conductor Shielded Twisted Pair.
Wire Jackets: PVC

RATINGS:

Voltage: Hands free usage in controlled voltage environments: 300 Vrms Max. *For CE compliance:* not intended for hand-held use at voltages above 33 Vrms/70 Vdc.
Current: 0.5 Amperes per conductor @ 25°C Max.
Operating Temperature: -4°F to +176°F (-20°C to +80°C)

ORDERING INFORMATION: Model 6324-96

Standard Length: 96" Inches (2,43M)

All dimensions are in inches. Tolerances (except noted): .xx = ±.02" (.51 mm), .xxx = ±.005" (.127 mm).
All specifications are to the latest revisions. Specifications are subject to change without notice.
Registered trademarks are the property of their respective companies.

Sales: 800-490-2361 Fax: 888-403-3360 Technical Support: 800-241-2060 (technicalsupport@pomonatest.com)
For "Where to Buy" information, visit the Pomona web site at www.pomonaelectronics.com