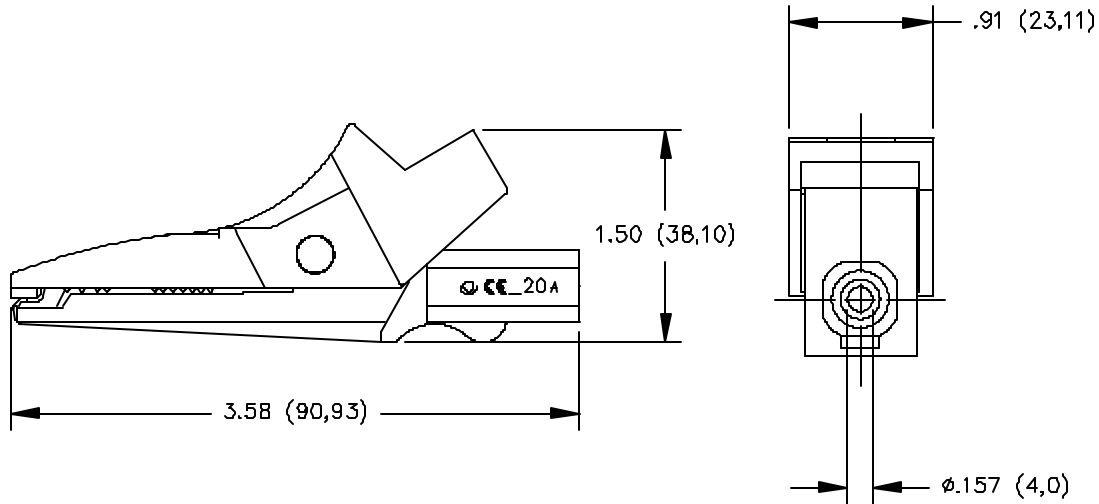


Model 6041B & 6042B Extra Large Alligator Clip With 4mm Sheath Safety Jack



FEATURES:

- Designed to comply with IEC1010, which is the latest international safety standard.
- Jaws open up to .8 inches (20mm).
- One end includes a 4mm safety jack, which mates to Pomona's Models 5907A, 5909A flexible test leads.
- The extra large Alligator Clip set is also included in many of Pomona's DMM Test Accessory Kits.

MATERIALS:

Jaw: Steel, nickel plated

Insulation: Polyamide

RATINGS:

IEC 1010, Category III, P2 Compliant

Operating Voltage: 1000V

Current: 20 Amperes Max.

ORDERING INFORMATION: Model 6041B (Includes a set of one black and one red)

Model 6042B-* (To order individual clip)

* = Color code, standard colors, -0 Black, -2 Red

All dimensions are in inches. Tolerances (except noted): .xx = $\pm .02$ " (.51 mm), .xxx = $\pm .005$ " (.127 mm).

All specifications are to the latest revisions. Specifications are subject to change without notice.

Registered trademarks are the property of their respective companies. Made in USA

Sales: 800-490-2361 Fax: 888-403-3360
Technical Assistance: 800-241-2060

PomonaACCESS 90406 (800) 444-6785 or (425) 446-6010
More drawings available at www.pomonaelectronics.com