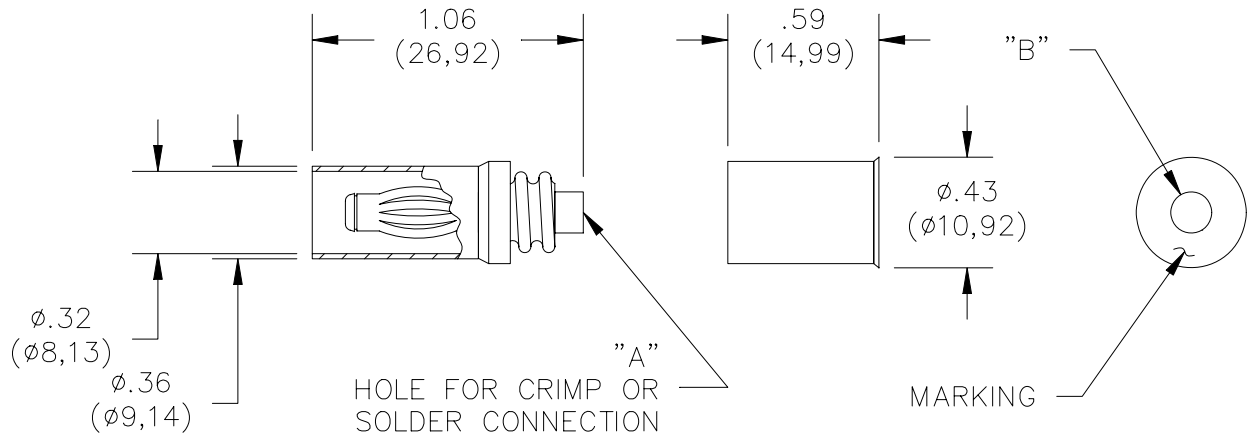


Model 4933 Do-It-Yourself In-Line Sheathed Banana Plug



Model #	Dimension "A"	Dimension "B"	Accepts Wire AWG
4933	.062" (1.57mm)	.160" (4.06mm)	18, 20, 22

Features

- Threaded two piece design allows wires to be soldered or crimped to the banana plug.
- Banana plug spring is nickel plated Beryllium Copper for long insertion life.
- Fits into Pomona model 4934 Banana Jack.

Materials

Banana Plug: Body – Brass, Nickel Plated
 Spring – Beryllium Copper, Nickel Plated
Insulation: Polypropylene, color per part number
Threaded Handle: Polypropylene, color per part number
Marking: "POMONA ELECT." & part number



Ratings

Operating Voltage: Hands free usage in controlled voltage environments: 1200 Vrms Max.
 For CE compliance: not intended for hand-held use at voltages above 33 Vrms/70 Vdc.
 Operating Temperature: +80°C (+176°F)
 Current: 15 Amperes Max.

Ordering Information

Model: 4933-Color
Colors = -0 (Black), -2 (Red)
 Ordering Example: 4933-0 (Banana Plug with Black insulation)

USA: Sales: 800-490-2361
 Technical Support: technicalsupport@pomonatest.com
 Fax: 425-446-5844
Europe: 31-(0) 40 2675 150 **International:** 425-446-5500
Where to Buy: www.pomonaelectronics.com

All dimensions are in inches. Tolerances (except noted): .xx = $\pm .02$ " (.51 mm),
 .xxx = $\pm .005$ " (.127 mm). All specifications are to the latest revisions.
 Specifications are subject to change without notice. Registered trademarks are
 the property of their respective companies.