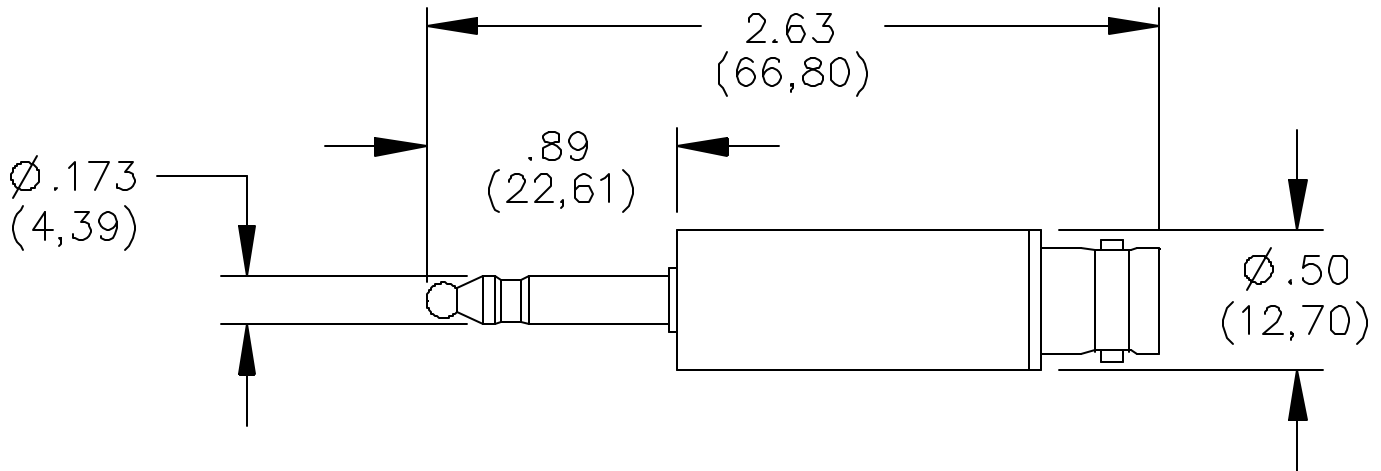


Model 4719 BNC (Female) To Bantam Plug Adapter



FEATURES:

- Converts Bantam jacks to BNC for coaxial cable compatibility
- BNC shell is tarnish resistant
- BNC materials include gold plated Beryllium Copper for superior electrical performance
- Schematic: Tip to BNC center conductor, ring to BNC Shell, sleeve - floating

MATERIALS:

BNC: Body - Brass, nickel plated

Center Contact – Beryllium Copper, gold plated

Insulation: ABS, molded to BNC receptacle and plug, color: black

Bantam Plug: Brass

RATINGS:

Operating Temperature: +50°C (+122°F)

Operating Voltage: 500 V Peak

ORDERING INFORMATION: Model 4719

All dimensions are in inches. Tolerances (except noted): .xx = ±.02" (.51 mm), .xxx = ± .005" (.127 mm).

All specifications are to the latest revisions. Specifications are subject to change without notice.

Registered trademarks are the property of their respective companies. Made in USA

Sales: 800-490-2361 Fax: 888-403-3360
Technical Assistance: 800-241-2060

PomonaACCESS 90399 (800) 444-6785 or (425) 446-6010
More drawings available at www.pomonaelectronics.com