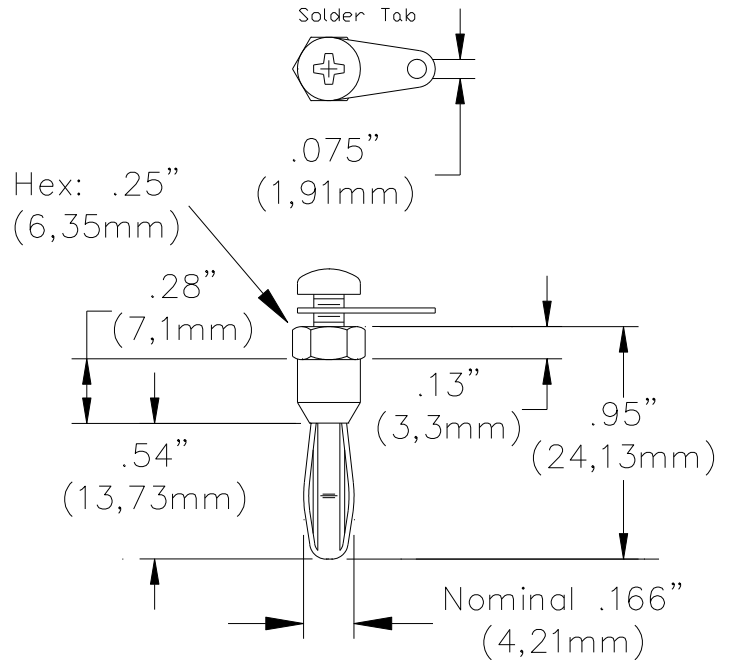


Model 3265 & 3266
Standard Banana Plug with
#6-32 or #8-32 Screw



FEATURES:

- ✓ Fits standard banana jack

MATERIALS:

Banana Plug Body: Brass, Alloy 360, 1/2 Hard

Spring: Beryllium Copper, Berylco 25, Cond. H.T.

Finish: Nickel plated per QQ-N-290, Class 2, 200/300 microinches

Screw: Model 3265 - 6-32 x .25" (6,35mm) Pan head, Phillips, steel, nickel plated

Model 3266 - 8-32 x .25" (6,35mm) Pan head, Phillips, steel, nickel plated.

Solder Lug: Copper per QQ-C-576

Finish: Electro tin plated

RATINGS:

Voltage: Hands free testing in controlled voltage environments: 500 Vrms Max. *For CE compliance: not intended for hand-held use at voltages above 33 Vrms/70 Vdc.*

Current: 15 Amps

ORDERING INFORMATION:

Model with 6-32 screw: 3265

Model with 8-32 screw: 3266

Sold in package of 10

All dimensions are in inches. Tolerances (except noted): .xx = ±.02" (.51 mm), .xxx = ±.005" (.127 mm).

All specifications are to the latest revisions. Specifications are subject to change without notice.

Registered trademarks are the property of their respective companies.

Sales: 800-490-2361 Fax: 888-403-3360 Technical Support: 800-241-2060 (technicalsupport@pomonaest.com)

For "Where to Buy" information, visit the Pomona web site at www.pomonaelectronics.com