

## Model 1825, 4897, 4899, 6545 Standard Banana Plug, Solderless and Stackable



### Features

- Designed to fit on the end of any 22 AWG to 18 AWG wire.
- Cross hole wire entry fits wires up to .12" (3mm) diameter.
- Available with tarnish resistant nickel or gold plating for very low contact resistance.
- Model 4899 is rated to temperatures up to +302°F (+150°C).
- Set screw simplifies assembly of test leads and jumpers by using a flat blade screwdriver.
- Fits standard panel and binding post banana jacks .161" to .166" (4,0mm to 4,2mm) diameter.

### Materials

Banana Jack:	Beryllium Copper, Gold Plated
Banana Plug:	Body – Brass, Nickel Plated (Model 4897 is Gold Plated) Spring – Beryllium Copper, Nickel Plated (Model 4897 Gold Plated)
Insulation:	Polypropylene (Model 4899 is Polyphenylene Sulfide)
Set Screw:	Steel, Zinc Plated, 8-32 Single Slot

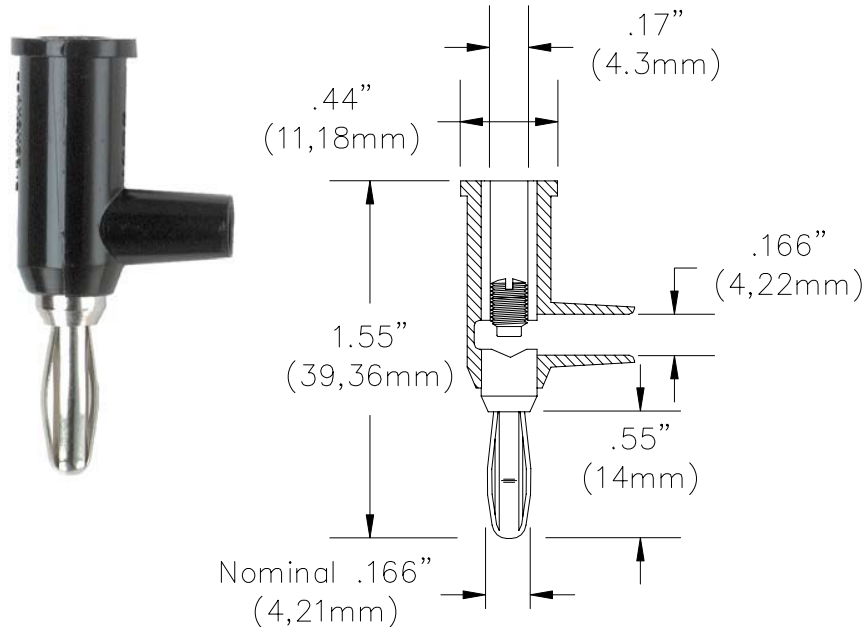
### Ratings

Voltage:	For <i>CE compliance</i> and for personal safety, do not hold in hand when voltages exceed 33 Vrms/70 Vdc. Maximum voltage for <i>hands free use</i> in controlled testing environments: 5000 Vrms Max. Do not use on circuits where transient stresses can exceed the rated voltage.
Current:	15 Amps
Maximum Operating Temperature:	+122°F (+50°C) max. (Model 4899: +302°F (+150°C) max.)

### Ordering Information

Model: 1825-**color** Nickel Plated Banana with Polypropylene Insulation  
**Color:** 0=Black, 1=Brown, 2=Red, 3=Orange, 4=Yellow, 5=Green, 6=Blue, 7=Violet, 8=Gray, 9=White,  
 02=set of Black and Red  
 Ordering example: 1825-5 (1825 with Green Polypropylene Insulation)

Model: 4897-0 Gold Plated Banana Plug with Polypropylene Black Insulation  
 Model: 4897-2 Gold Plated Banana Plug with Polypropylene Red Insulation  
 Model: 4899-0 Nickel Plated Banana with High Temperature Black Insulation (Polyphenylene Sulfide)  
 Model: 4899-6 Nickel Plated Banana with High Temperature Blue Insulation (Polyphenylene Sulfide)  
 Model: 6545 Package of ten 1325, one of each color.  
 Model: 4914 Replacement Set Screws, package of 100.



All dimensions are in inches. Tolerances (except noted): .xx = ±.02" (.51 mm), .xxx = ±.005" (.127 mm). All specifications are to the latest revisions. Specifications are subject to change without notice. Registered trademarks are the property of their respective companies.