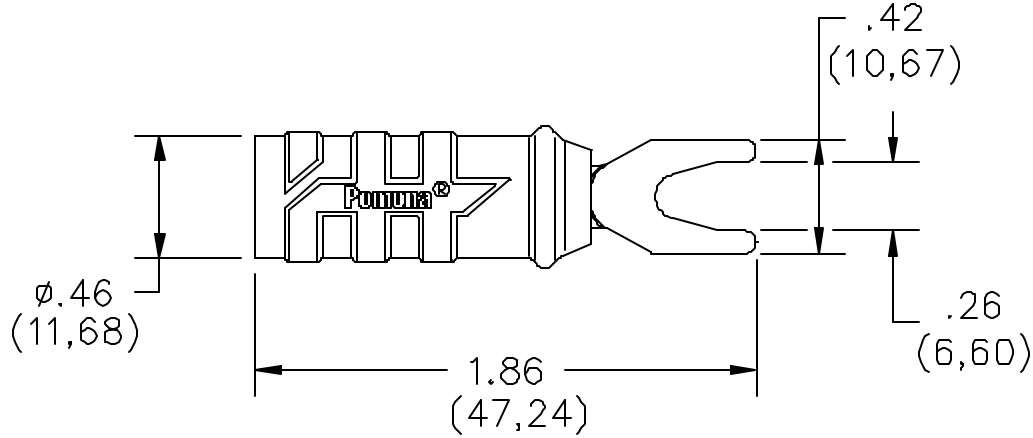


Model 1614A & 6203 Spade Lug to Insulated Banana Jack



FEATURES:

- Ideal for use with binding posts
- Compatible with any Pomona banana plug or equivalent
- Has a shrouded jack for use with any shrouded DMM plug

MATERIALS:

Insulator – Nylon

Spade – Nickel plated copper.

RATINGS:

Operating Voltage – 1000 VRMS Max.

Current – 15 Amperes

ORDERING INFORMATION: Model 6203 - Set of one red, one black spade lug
Model 1614A-*

* = Color, -0 Black, -2 Red

All dimensions are in inches. Tolerances (except noted): .xx = $\pm .02$ " (.51 mm), .xxx = $\pm .005$ " (.127 mm).

All specifications are to the latest revisions. Specifications are subject to change without notice.

Registered trademarks are the property of their respective companies. Made in USA

Sales: 909-469-2900 Fax: 909-629-3317
Technical Assistance: 800-241-2060

PomonaACCESS 90661 (800) 444-6785 or (909) 469-2991
More drawings available at www.pomonaelectronics.com