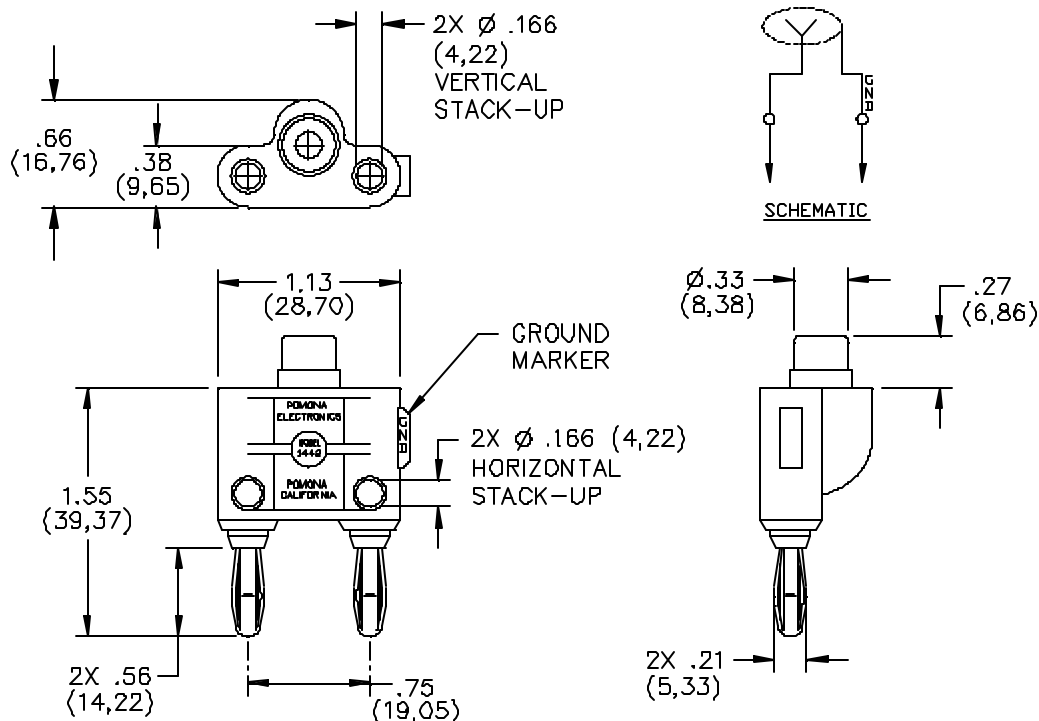


Model 1442 Adapter, Phono Jack To Double Banana Plug



FEATURES:

- Permits phono plug to be used with equipment having standard banana jacks or binding posts.

MATERIALS:

Upper Connector: Phono Jack

Insulation: Polypropylene molded to phono jack and banana plug bodies. Color: Black

Marking: "POMONA ELECTRONICS MODEL 1442 POMONA CALIFORNIA"

Lower Connector: Double Banana Plug

Spring – Beryllium Copper per QQ-C-533, Alloy 172, Cond. HT.

Plug Body – Brass per QQ-B-626, Alloy 360, ½ Hard.

Finish: Nickel plated per QQ-N-290, Class 2, 200/300 microinches.

RATINGS:

Operating Temperature: +50°C. (+122°F.) Max.

Operating Voltage: 500VDC

ORDERING INFORMATION: Model 1442

All dimensions are in inches. Tolerances (except noted): .xx = ±.02" (.51 mm), .xxx = ± .005" (.127 mm).

All specifications are to the latest revisions. Specifications are subject to change without notice.

Registered trademarks are the property of their respective companies/ Made in USA