

iFlex Probe Specifications

Measuring range

iFlex 1500-12	1 to 150 A ac / 10 to 1500 A ac
iFlex 3000-24	3 to 300 A ac / 30 to 3000 A ac
iFlex 6000-36	6 to 600 A ac / 60 to 6000 A ac
Nondestructive current	100 kA (50/60 Hz)

Intrinsic Error at reference condition^[1]

±0.7% of reading

Accuracy 1730 + iFlex

iFlex 1500-12 & iFlex 3000-24 ±(1 % of reading + 0.02 % of range)

iFlex 6000-36 ±(1.5 % of reading + 0.03 % of range)

Temperature Coefficient over operating temperature range

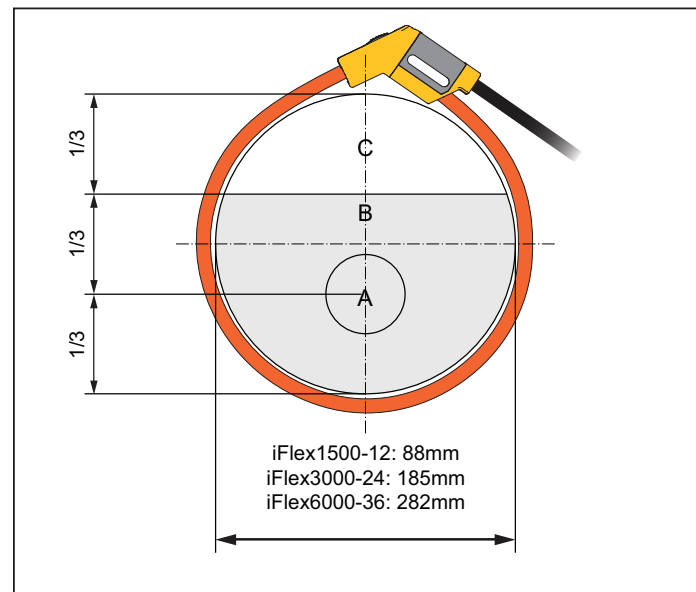
iFlex 1500-12 & iFlex 3000-24 0.05 % of reading / °C (0.09 % of reading / °F)

iFlex 6000-36 0.1 % of reading / °C (0.18 % of reading / °F)

Positioning error with position of conductor in the probe window (see Figure 11)

	iFlex1500-12, iFlex3000-24	iFlex6000-36
Probe Window A	±(1 % of reading + 0.02 % of range)	±(1.5 % of reading + 0.03 % of range)
Probe Window B	±(1.5 % of reading + 0.02 % of range)	±(2.0 % of reading + 0.03 % of range)
Probe Window C	±(2.5 % of reading + 0.02 % of range)	±(4 % of reading + 0.03 % of range)

External magnetic field rejection in reference to external current (with cable >100 mm from the head-coupling and r-coil) 40 dB
Phase shift < ±0.5°



hctf057.eps

Figure 11. iFlex Probe Window

Bandwidth 10 Hz to 2.5 kHz
Frequency derating $I \times f \leq 385 \text{ kA Hz}$
Working Voltage 1000V CATIII, 600V CATIV

[1] Reference Condition:

- Environmental: 23 °C ±5 °C, no external electrical/magnetic field, RH 65 %
- Primary conductor in center position