

# a3004 FC Wireless DC Clamp

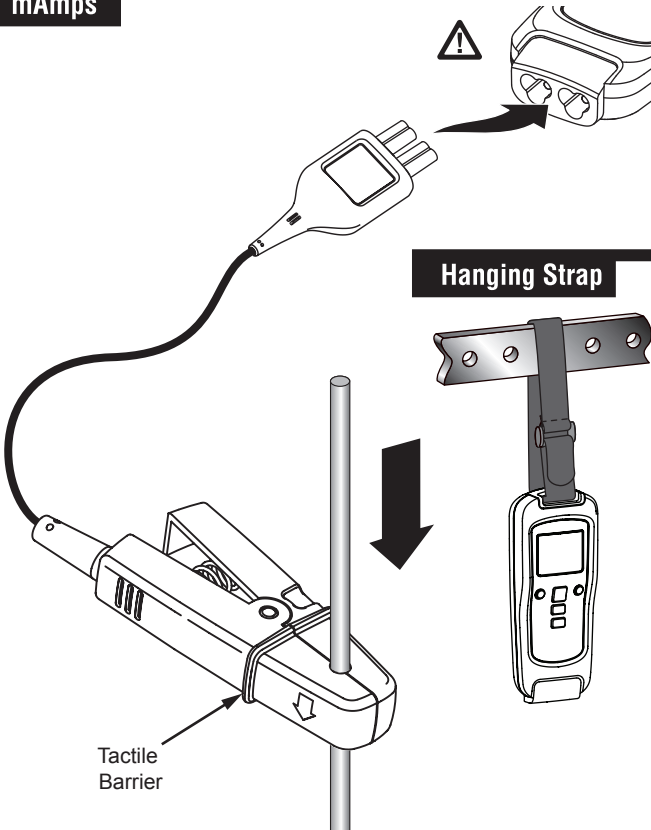
## Quick Reference Guide

### ⚠️ Warning

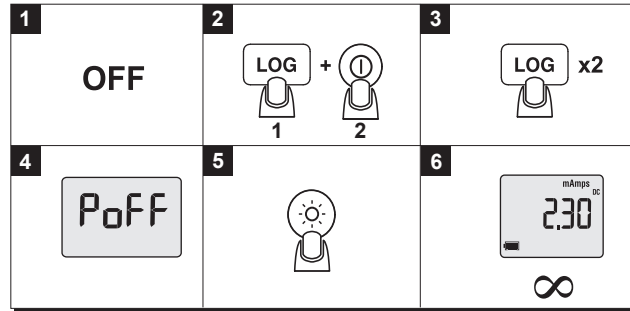
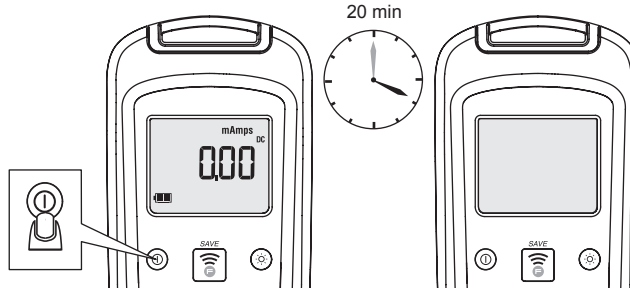
To prevent possible electrical shock, fire, or personal injury, read the "a3004 FC Safety Sheet" before you use this Product.

Go to [www.fluke.com](http://www.fluke.com) to register your product and find more information.

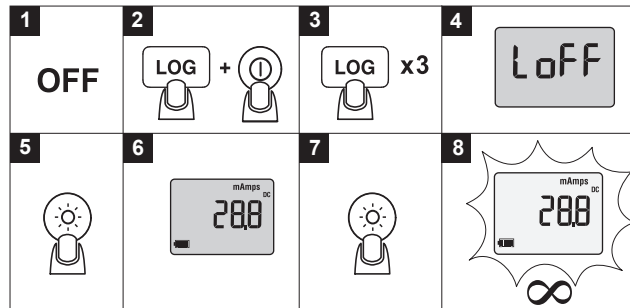
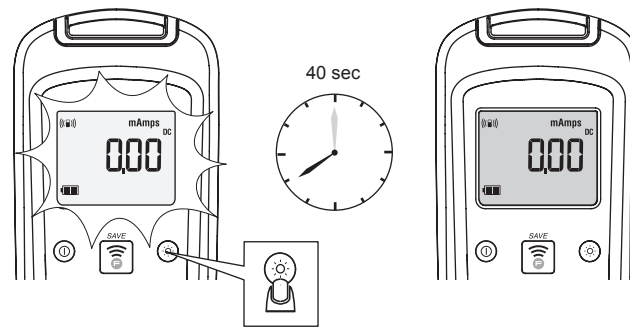
### mAmps



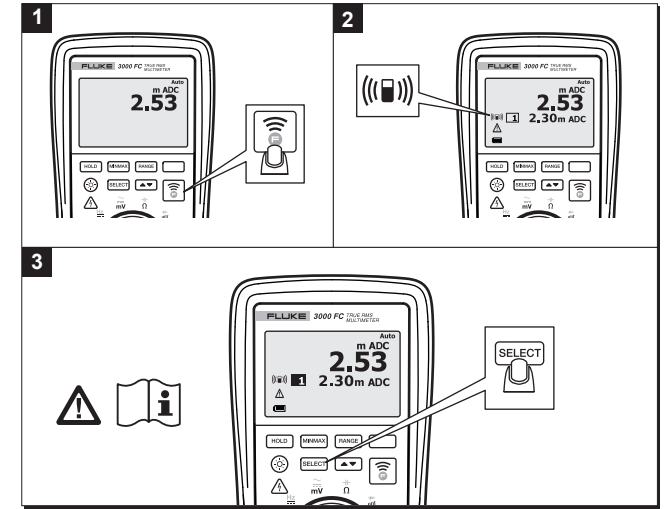
### ⓘ On / Off



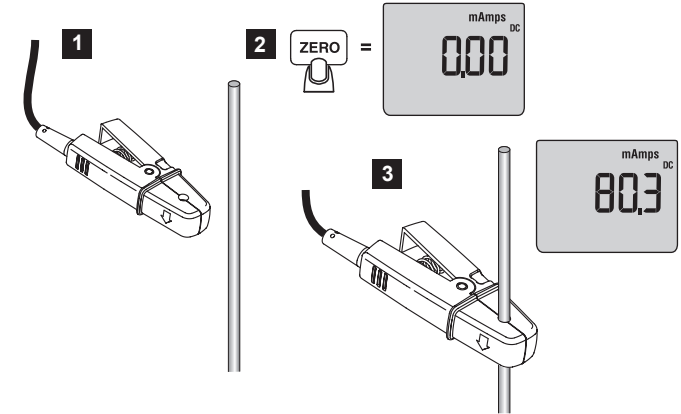
### ⓘ Backlight



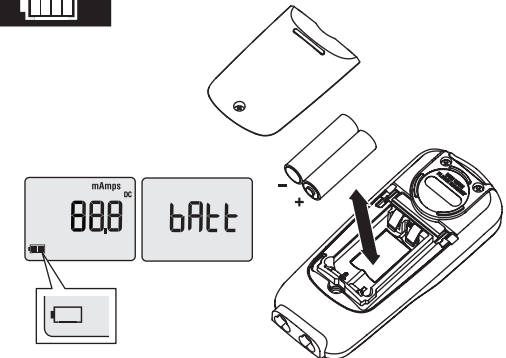
### DMM (3000 FC Optional)



### ZERO

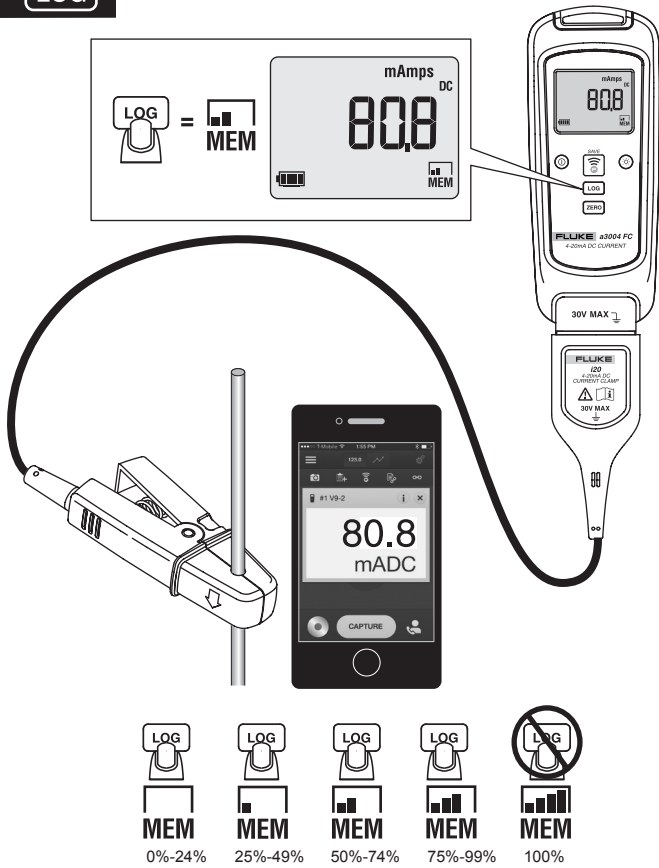


### Battery



LOG

iOS/Android



### Fluke Connect™ Bluetooth® Connection to FC Tools

